



MDVN

supersilent >
54Y

powerful > compact

**PORTABLE
COMPRESSORS**

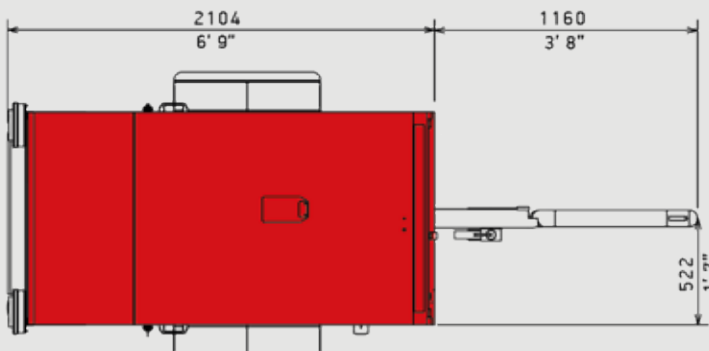
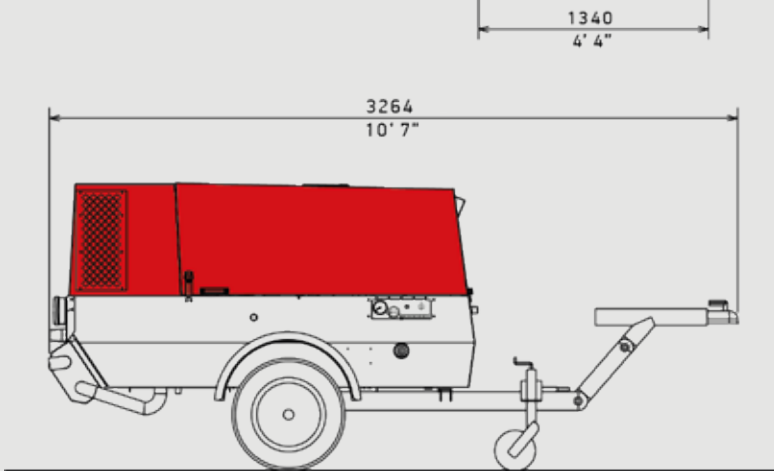
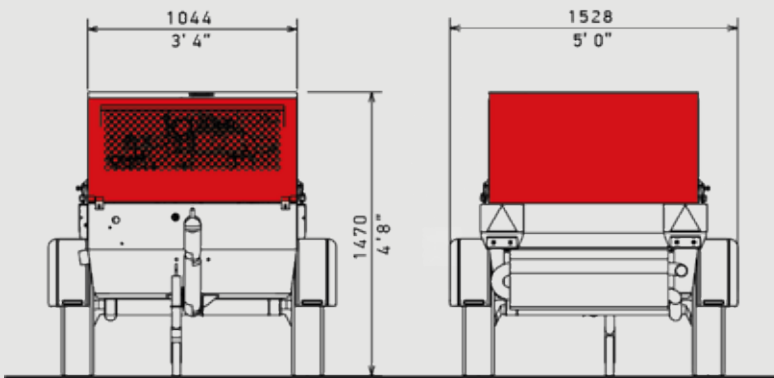


CONSTRUCTIONS
BUILDING SITES
and much more...

- › Electro-galvanized bodywork and chassis with advanced painting procedure to grant an excellent preservation through time
- › Full accessibility for easy and rapid maintenance and service

supersilent >

MDVN 54Y



> Exclusive pneumatic control system, developed by ROTAIR, to adjust automatically engine revs, depending on the air to be delivered. This system is highly reliable and ensures fuel consumption saving.



THE RESPECT OF ORDINARY MAINTENANCE INTERVALS AND THE USE OF GENUINE SPARE PARTS ENSURE CONSTANT AND OPTIMAL PERFORMANCES AND RELIABLE DURABILITY THROUGH TIME.

weight (without brakes) >

Technical Data

900 kg
1984 lbs

COMPRESSOR

Operating pressure	7 bar 102 psi
Free air delivery	5200 l/min 185 cfm
Drive system engine-airend	Direct Drive
Compressor cooling system	Air / Oil
Oil cooling capacity	10 lt - 2.64 gal
Air outlet temperature	40°C - 105°F + Ambient temperature
Outlet valves	2 x 1"
Battery capacity	12V cc - 750A-100Ah (EN)
Fuel tank capacity	51 lt - 13.47 gal.

DIESEL ENGINE

Engine make	YANMAR
Engine type	4TNV 88-DSAP
Engine system	4 strokes - Inline
Displacement	2190 cc
N. cylinders	4
Aspiration	Natural
Max engine power @3000 RPM	35 kW - 46.9 HP
Max engine speed	3000 RPM
Min engine speed	1500 RPM
Cooling system	Water
Cooling system capacity	8 lt - 2.11 gal (glicole 50%)
Lubrication system	Oil
Lubrication system capacity	7 lt - 1.84 gal

ENVIRONMENTAL CONDITIONS - (Standard Version*)

Max ambient temperature	50°C - 122°F
Max altitude	1800 m a.s.l.
Min working temperature	-10°C / 14°F

powerful > compact

PORTABLE COMPRESSORS



*All images and pictures are indicative. Data can be changed without prior notice.



*For versions with different operating pressures or for requests of machines to be used under particular ambient temperature conditions, data have to be previously asked to our technical dept.



powerful > compact

PORTABLE COMPRESSORS

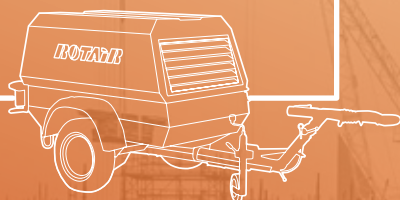
IN THE
SAME
RANGE

MDVN 35AL

MDVN 45AL

MDVN 54D

MDVN 54Y | 07/2019 - Rev.01



ROT AIR® TECHNOLOGY AND
ENGINEERING SOLUTIONS

Via Bernezzo, 67 - 12023 Caraglio (Cn) - ITALY
Tel: +39 0171.619676 / Fax: +39 0171.619677
www.rotairspa.com | info@rotairspa.com



Azienda
certificata
ISO
9001:2015

ISO 9001

BUREAU VERITAS
Certification

